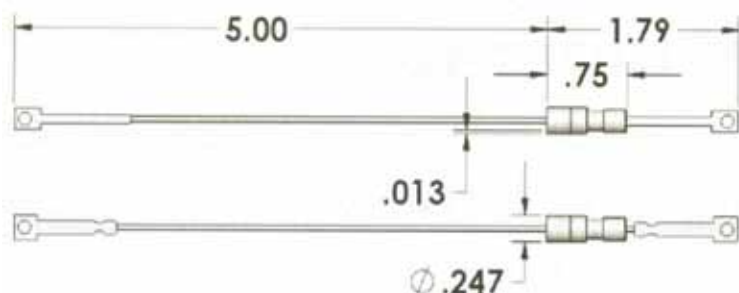


1 Pair Screw and Nut Connections Single Leg T/C Pairs

Air and Vacuum-side Connectors Included

WELDABLE

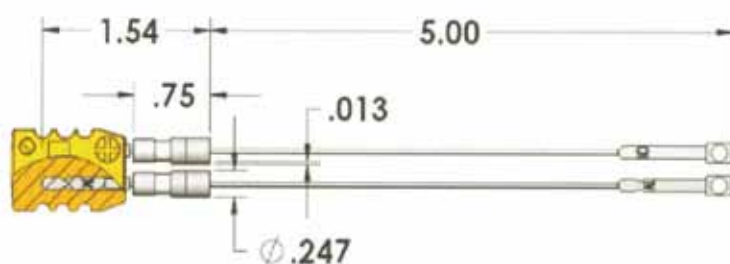


TYPE	PART#
K	A0802-1-W
C	A0802-2-W
J	A0802-3-W
E	A0802-4-W

Miniature Connector Single Leg T/C Pairs

Air and Vacuum-side Connectors Included

WELDABLE



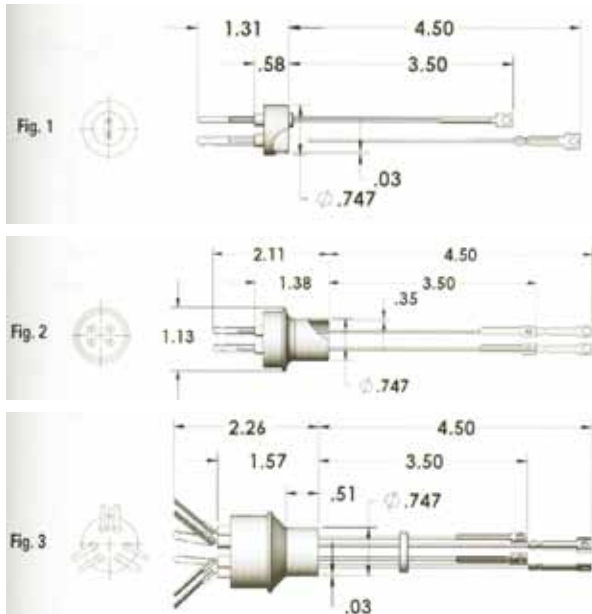
TYPE	PART#
K	A0636-1-W
C	A0636-2-W
J	A0636-3-W
E	A0636-4-W

THERMOCOUPLE

1 to 3 Pairs - Connector Fitted

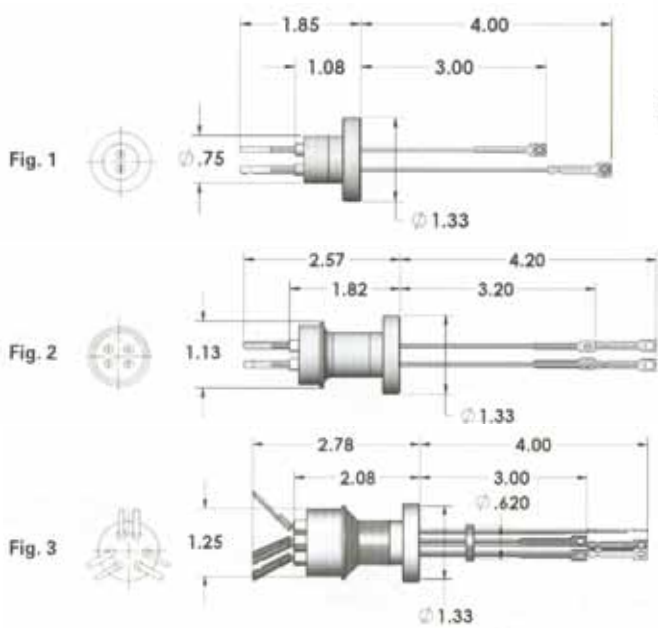
Air and Vacuum-side Connectors Included

WELDABLE



# PAIRS	TYPE	FIG	PART#
1	C	1	A0389-1-W
1	E	1	A0390-1-W
1	J	1	A0387-1-W
1	K	1	A0388-1-W
2	C	2	A0406-3-W
2	E	2	A0406-4-W
2	J	2	A0406-1-W
2	K	2	A0406-2-W
3	C	3	A0661-4-W
3	E	3	A0661-3-W
3	J	3	A0661-2-W
3	K	3	A0661-1-W

CONFLAT FLANGE



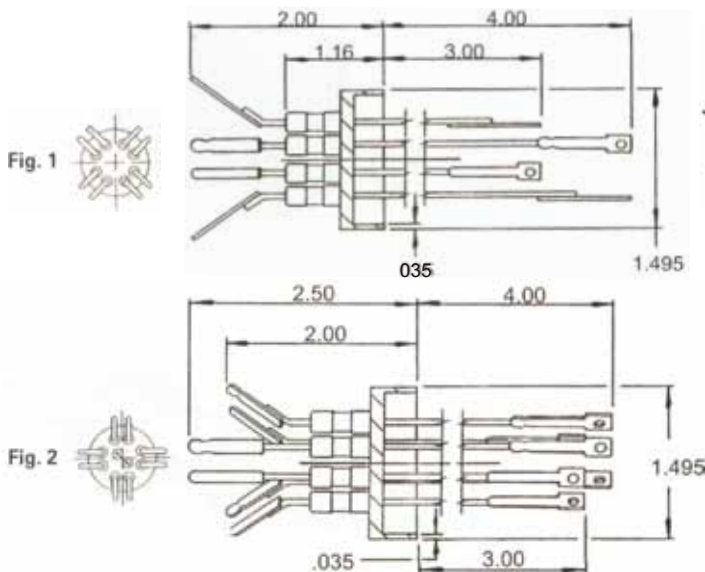
# PAIRS	TYPE	FIG	PART#	
			CF16 / 1.33	CF40 / 2.75
<i>(NOT SHOWN)</i>				
1	C	1	A0391-3-CF	A2288-3-CF
1	E	1	A0391-4-CF	A2288-4-CF
1	J	1	A0391-1-CF	A2288-1-CF
1	K	1	A0391-2-CF	A2288-2-CF
2	C	2	A0407-3-CF	A2612-3-CF
2	E	2	A0407-4-CF	A2612-4-CF
2	J	2	A0407-1-CF	A2612-1-CF
2	K	2	A0407-2-CF	A2612-2-CF
3	C	3	A0734-4-CF	A5775-3-CF
3	E	3	A0734-3-CF	A5775-4-CF
3	J	3	A0734-2-CF	A5775-1-CF
3	K	3	A0734-1-CF	A5775-2-CF

*Quick Flange (NW)、NPT タイプもございます。

4 to 5 Pairs - Connector Fitted

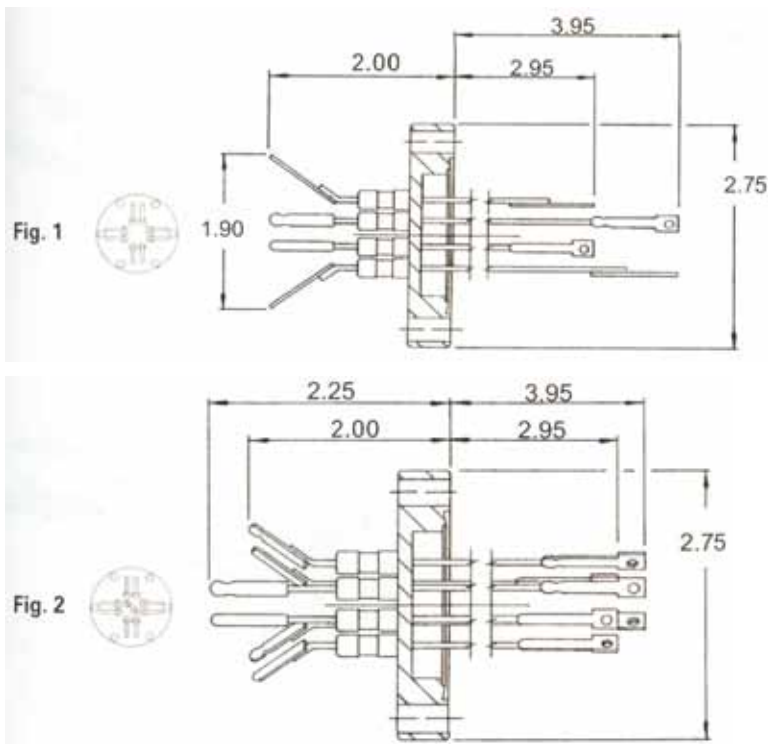
Air and Vacuum-side Connectors Included

WELDABLE



# PAIRS	TYPE	FIG	PART#
4	C	1	A0720-4-W
4	E	1	A0720-3-W
4	J	1	A0720-2-W
4	K	1	A0720-1-W
5	C	2	A0656-3-W
5	E	2	A0656-4-W
5	J	2	A0656-2-W
5	K	2	A0656-1-W

CONFLAT FLANGE



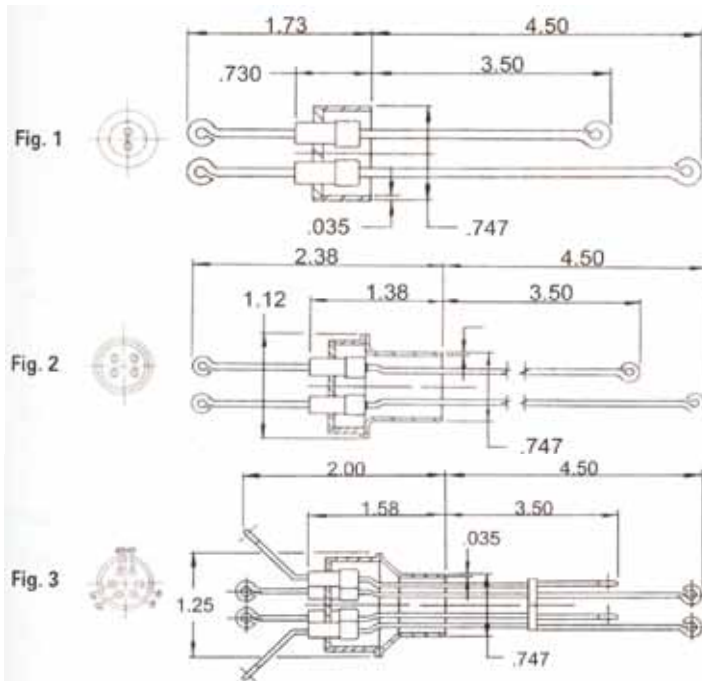
# PAIRS	TYPE	FIG	PART#
4	C	1	A0462-3-CF
4	E	1	A0462-4-CF
4	J	1	A0462-2-CF
4	K	1	A0462-1-CF
5	C	2	A0459-3-CF
5	E	2	A0459-4-CF
5	J	2	A0459-2-CF
5	K	2	A0459-1-CF

*Quick Flange (NW) タイプもございます。

1 to 3 Pairs - Screw-type Connection

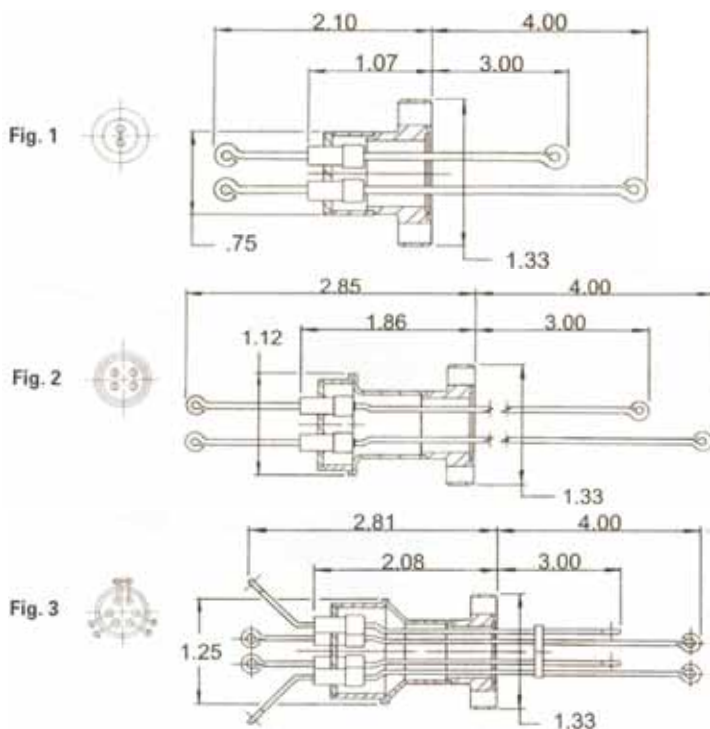
Air and Vacuum-side Connectors Included

WELDABLE



# PAIRS	TYPE	FIG	PART#
1	R, S	1	A0396-1-W
1	N	1	A0397-3-W
1	T	1	A0397-1-W
2	R, S	2	A0411-2-W
2	N	2	A0411-3-W
2	T	2	A0411-1-W
3	R, S	3	A0787-2-W
3	N	3	A0787-3-W
3	T	3	A0787-1-W

CONFLAT FLANGE



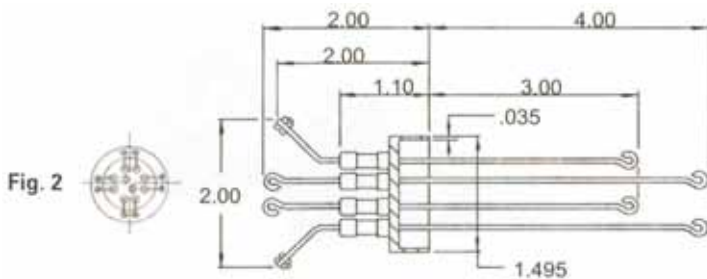
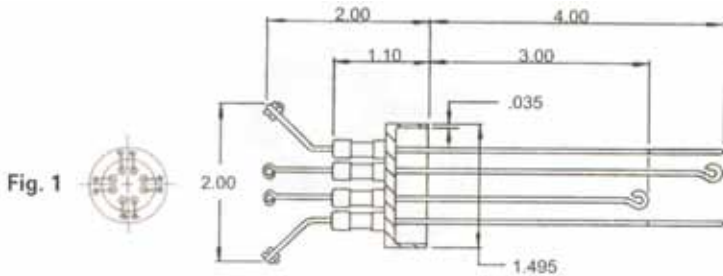
# PAIRS	TYPE	FIG	PART#
1	R, S	1	A0399-2-CF
1	N	1	A0399-4-CF
1	T	1	A0399-1-CF
2	R, S	2	A0412-2-CF
2	N	2	A0412-3-CF
2	T	2	A0412-1-CF
3	R, S	3	A0791-2-CF
3	N	3	A0791-3-CF
3	T	3	A0791-1-CF

*Quick Flange (NW)、NPT タイプもございます。

4 to 5 Pairs - Screw-type Connection

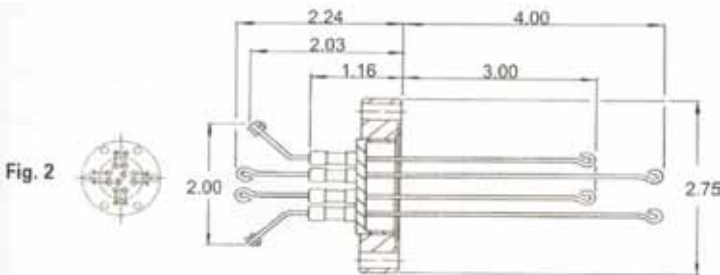
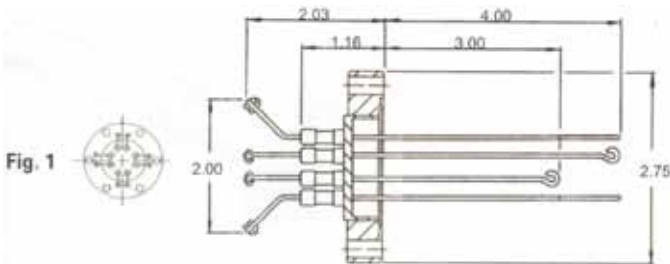
Air and Vacuum-side Connectors Included

WELDABLE



# PAIRS	TYPE	FIG	PART#
1	R, S	1	A0788-2-W
1	N	1	A0788-3-W
1	T	1	A0788-1-W
2	R, S	2	A0789-2-W
2	N	2	A0789-3-W
2	T	2	A0789-1-W

CONFLAT FLANGE



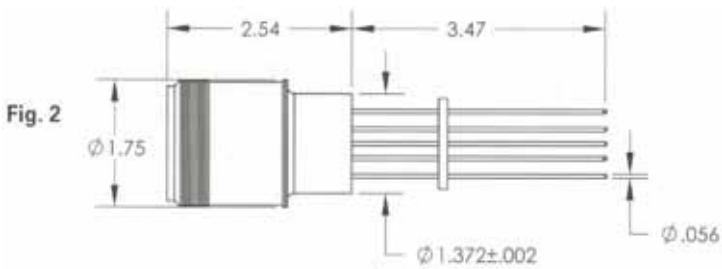
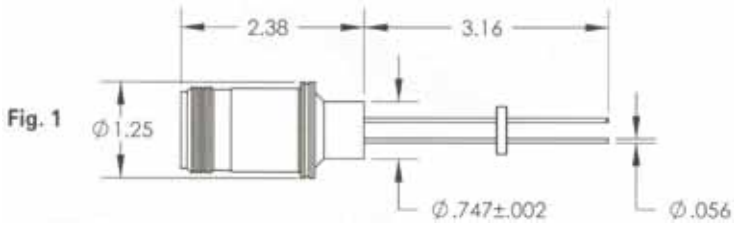
# PAIRS	TYPE	FIG	PART#
4	R, S	1	A0795-2-CF
4	N	1	A0795-3-CF
4	T	1	A0795-1-CF
5	R, S	2	A0797-2-CF
5	N	2	A0797-3-CF
5	T	2	A0797-1-CF

*Quick Flange (NW) タイプもございます。

2 to 10 Pairs - MS Connectors Single-ended

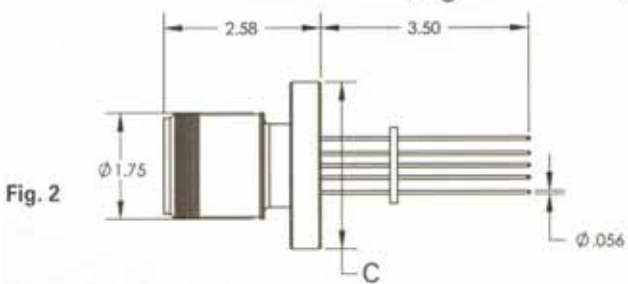
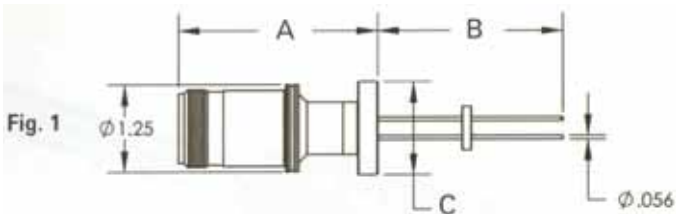
Air-side Connector Included

WELDABLE



# PAIRS	TYPE	FIG	PART#
2	E	1	A0429-3-W
2	J	1	A0429-2-W
2	K	1	A0429-1-W
3	E	1	A0429-7-W
3	J	1	A0429-6-W
3	K	1	A0429-5-W
5	E	1	A0429-11-W
5	J	1	A0429-10-W
5	K	1	A0429-9-W
10	E	2	A0204-3-W
10	J	2	A0204-2-W
10	K	2	A0204-1-W

CONFLAT FLANGE



# PAIRS	TYPE	FIG	A	B	C	PART#
2	E	1	2.80	2.70	1.33	A0192-3-CF
2	J	1	2.80	2.70	1.33	A0192-2-CF
2	K	1	2.80	2.70	1.33	A0192-1-CF
2	E	1	2.30	3.20	2.75	A0193-3-CF
2	J	1	2.30	3.20	2.75	A0193-2-CF
2	K	1	2.30	3.20	2.75	A0193-1-CF
3	E	1	2.80	2.70	1.33	A0192-7-CF
3	J	1	2.80	2.70	1.33	A0192-6-CF
3	K	1	2.80	2.70	1.33	A0192-5-CF
3	E	1	2.30	3.20	2.75	A0193-7-CF
3	J	1	2.30	3.20	2.75	A0193-6-CF
3	K	1	2.30	3.20	2.75	A0193-5-CF
5	E	1	2.80	2.70	1.33	A0192-11-CF
5	J	1	2.80	2.70	1.33	A0192-10-CF
5	K	1	2.80	2.70	1.33	A0192-9-CF
5	E	1	2.30	3.20	2.75	A0193-11-CF
5	J	1	2.30	3.20	2.75	A0193-10-CF
5	K	1	2.30	3.20	2.75	A0193-9-CF
10	E	2	2.75	A0206-3-CF
10	J	2	2.75	A0206-2-CF
10	K	2	2.75	A0206-1-CF

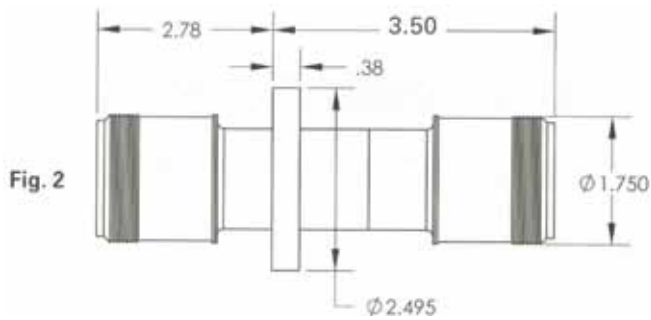
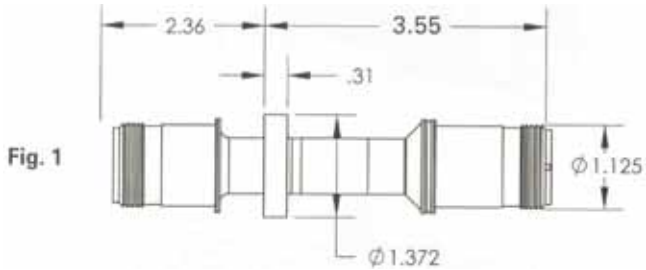


*Quick Flange (NW) タイプもございます。

2 to 10 Pairs - MS Connectors Double-ended

Air and Vacuum-side Connectors Included

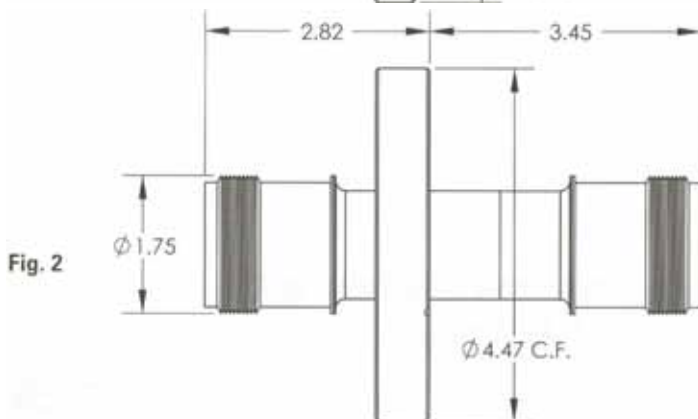
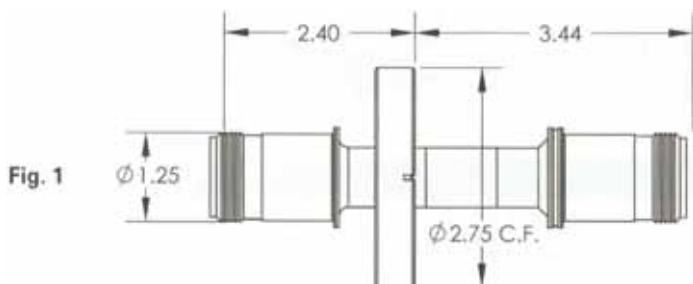
WELDABLE



# PAIRS	TYPE	FIG	PART#
2	E	1	A1149-1-W
2	J	1	A1092-1-W
2	K	1	A1074-1-W
3	E	1	A1093-1-W
3	J	1	A1094-1-W
3	K	1	A1095-1-W
5	E	1	A1147-1-W
5	J	1	A1096-1-W
5	K	1	A1148-1-W
10	E	2	A1097-1-W
10	J	2	A1179-1-W
10	K	2	A1180-1-W

THERMOCOUPLE

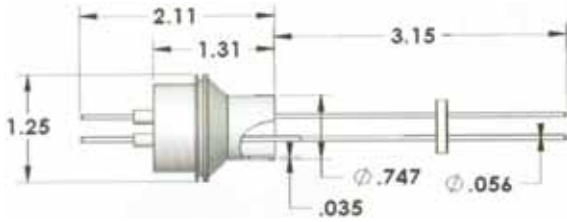
CONFLAT FLANGE



# PAIRS	TYPE	FIG	PART#
2	E	1	A1323-1-CF
2	J	1	A1323-2-CF
2	K	1	A1323-3-CF
3	E	1	A1324-1-CF
3	J	1	A1324-2-CF
3	K	1	A1324-3-CF
5	E	1	A1320-1-CF
5	J	1	A1320-2-CF
5	K	1	A1320-3-CF
10	E	2	A1325-1-CF
10	J	2	A1325-2-CF
10	K	2	A1325-3-CF

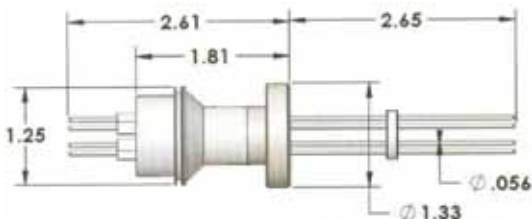
2 to 10 Pairs - Push-on Connectors

WELDABLE



# PAIRS	TYPE	PART#
2	E	A0421-3-W
2	J	A0421-2-W
2	K	A0421-1-W
3	E	A0422-3-W
3	J	A0422-2-W
3	K	A0422-1-W
5	E	A0184-3-W
5	J	A0184-2-W
5	K	A0184-1-W

CONFLAT FLANGE



# PAIRS	TYPE	PART#
2	E	A0423-3-CF
2	J	A0423-2-CF
2	K	A0423-1-CF
3	E	A0423-7-CF
3	J	A0423-6-CF
3	K	A0423-5-CF
5	E	A0423-11-CF
5	J	A0423-10-CF
5	K	A0423-9-CF

* Quick Flange (NW)、NPT タイプもございます。

1 T/C Pair & 1 Power Pair T/C Connectors

Air and Vacuum-side Connectors for T/C Included

WELDABLE



Fig. 1

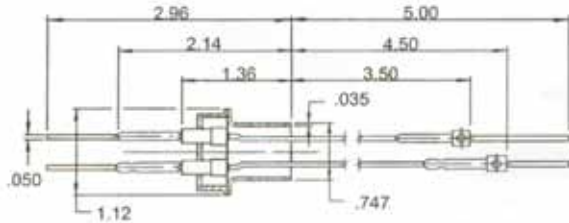
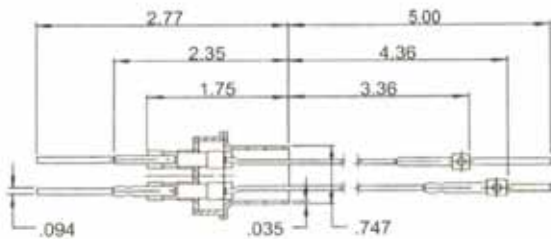


Fig. 2



AMPS	TYPE	VOLTAGE	FIG	CONDUCTOR	PART#
15	C	1kV	1	COPPER	A0434-5-W
15	E	1kV	1	COPPER	A0434-7-W
15	J	1kV	1	COPPER	A0434-3-W
15	K	1kV	1	COPPER	A0434-1-W
5	C	1kV	1	NICKEL	A0434-6-W
5	E	1kV	1	NICKEL	A0434-8-W
5	J	1kV	1	NICKEL	A0434-4-W
5	K	1kV	1	NICKEL	A0434-2-W
30	C	5kV	2	COPPER	A0442-5-W
30	E	5kV	2	COPPER	A0442-7-W
30	J	5kV	2	COPPER	A0442-3-W
30	K	5kV	2	COPPER	A0442-1-W
15	C	5kV	2	NICKEL	A0442-6-W
15	E	5kV	2	NICKEL	A0442-8-W
15	J	5kV	2	NICKEL	A0442-4-W
15	K	5kV	2	NICKEL	A0442-2-W

THERMOCOUPLE

CONFLAT FLANGE



Fig. 1

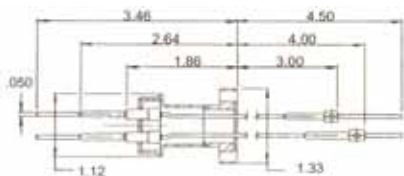
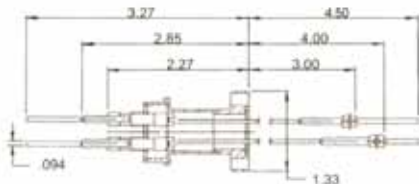


Fig. 2



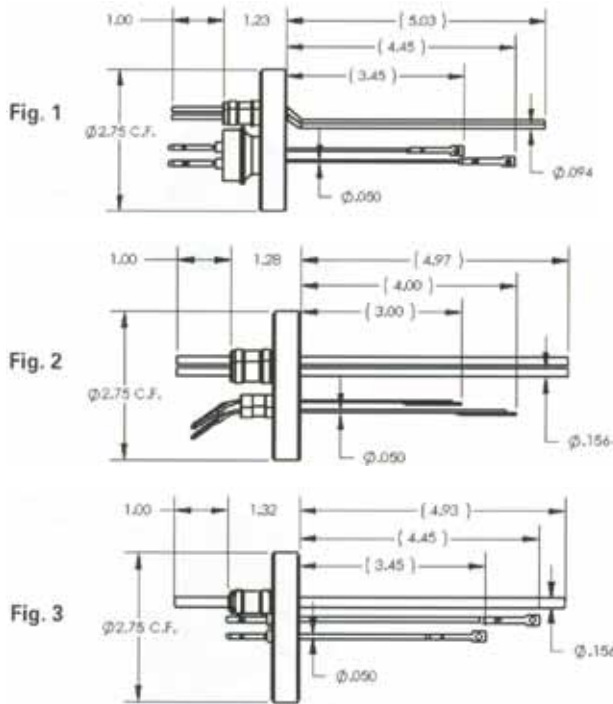
AMPS	TYPE	VOLTAGE	FIG	CONDUCTOR	PART#	
					CF16 / 1.33	CF40 / 2.75
(NOT SHOWN)						
5	C	1kV	1	NICKEL	A0436-6-CF	A2267-6-CF
5	E	1kV	1	NICKEL	A0436-8-CF	A2267-8-CF
5	J	1kV	1	NICKEL	A0436-4-CF	A2267-4-CF
5	K	1kV	1	NICKEL	A0436-2-CF	A2267-2-CF
15	C	1kV	1	COPPER	A0436-5-CF	A2267-5-CF
15	E	1kV	1	COPPER	A0436-7-CF	A2267-7-CF
15	J	1kV	1	COPPER	A0436-3-CF	A2267-3-CF
15	K	1kV	1	COPPER	A0436-1-CF	A2267-1-CF
15	C	5kV	2	NICKEL	A0443-6-CF	A2277-6-CF
15	E	5kV	2	NICKEL	A0443-8-CF	A2277-8-CF
15	J	5kV	2	NICKEL	A0443-4-CF	A2277-4-CF
15	K	5kV	2	NICKEL	A0443-2-CF	A2277-2-CF
30	C	5kV	2	COPPER	A0443-5-CF	A2277-5-CF
30	E	5kV	2	COPPER	A0443-7-CF	A2277-7-CF
30	J	5kV	2	COPPER	A0443-3-CF	A2277-3-CF
30	K	5kV	2	COPPER	A0443-1-CF	A2277-1-CF

*Quick Flange (NW) タイプもございます。

1 & 2 T/C Pairs & 3 Power Pins T/C Connectors

Air and Vacuum-side Connectors for T/C Included

CONFLAT FLANGE

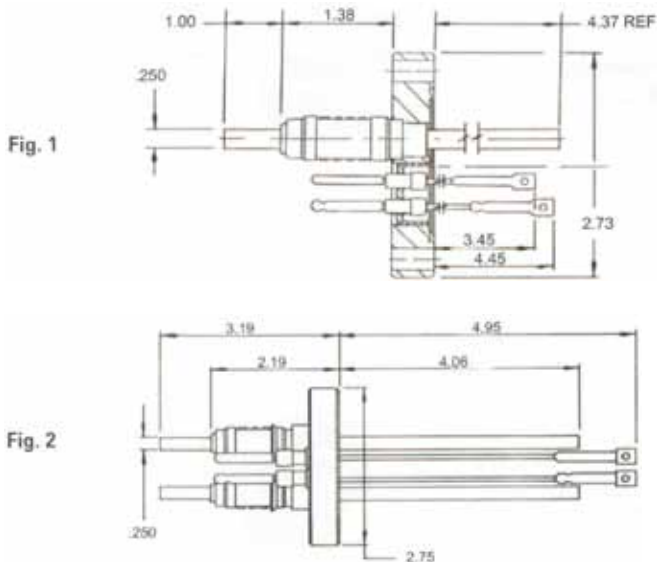


AMPS	TC PAIRS	TYPE	VOLTAGE	FIG	CONDUCTOR	PART#
30	2	C	5kV	1	.094 COPPER	A0451-3-CF
30	2	E	5kV	1	.094 COPPER	A0451-4-CF
30	2	J	5kV	1	.094 COPPER	A0451-1-CF
30	2	K	5kV	1	.094 COPPER	A0451-2-CF
60	1	C	5kV	2	.156 COPPER	A0453-3-CF
60	1	E	5kV	2	.156 COPPER	A0453-4-CF
60	1	J	5kV	2	.156 COPPER	A0453-1-CF
60	1	K	5kV	2	.156 COPPER	A0453-2-CF
60	2	C	5kV	3	.156 COPPER	A0800-3-CF
60	2	E	5kV	3	.156 COPPER	A0800-4-CF
60	2	J	5kV	3	.156 COPPER	A0800-1-CF
60	2	K	5kV	3	.156 COPPER	A0800-2-CF

1 & 2 T/C Pairs & 1 Power Pair T/C Connectors

Air and Vacuum-side Connectors for T/C Included

CONFLAT FLANGE



AMPS	TC PAIRS	TYPE	VOLTAGE	FIG	CONDUCTOR	PART#
150	1	C	5kV	1	.250 COPPER	A0458-3-CF
150	1	E	5kV	1	.250 COPPER	A0458-4-CF
150	1	J	5kV	1	.250 COPPER	A0458-1-CF
150	1	K	5kV	1	.250 COPPER	A0458-2-CF
150	2	C	5kV	2	.250 COPPER	A0798-2-CF
150	2	E	5kV	2	.250 COPPER	A0798-4-CF
150	2	J	5kV	2	.250 COPPER	A0798-3-CF
150	2	K	5kV	2	.250 COPPER	A0798-1-CF