

## Subminiature C-type - 500 Volts / 5 Amps

MATERIALS	TEMPERATURE RANGE (25°C / MIN)
Shell: 304 Stainless Steel	Feedthrough: -200 to 250°C
Pins: NiFe Alloy, Gold-plated	Connector (Air): -55 to 80°C
Insulation: Glass-Ceramic	Connector (Vacuum): -200 to 250°C



Fig. 1



Fig. 2



Fig. 3

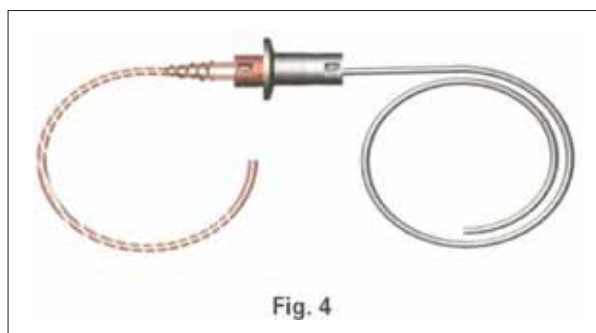


Fig. 4

Each kit is supplied with both an air and vacuum-side cable assembly including connectors. Subminiature-C air and vacuum-side connectors are fitted with captured stainless steel socket head screws which provide a means of securely locking them to their mating feedthroughs.

Kit Includes:  
 9 pin feedthrough CF or QF  
 96" female air-side cable assembly  
 19" female UHV cable assembly

PINS / QTY	FIG	FLANGE	PART#
One 9-pin	1	1.33 / CF16	A2140-1-CF
One 9-pin KIT	<i>not shown</i>	1.33 / CF16	A2139-1-KIT
One 9-pin	<i>not shown</i>	2.75 / CF40	A3046-1-CF
Two 9-pin .750 BC	2	2.75 / CF40	A2141-1-CF
One 9-pin	3	1.18 / QF16	A2143-1-QF
One 9-pin KIT	4	1.18 / QF16	A2142-1-KIT



**Contacts**  
FEMALE PINS

QTY	PART#
Pack of 10	A2386-1-CN



**Vacuum-side Connector**  
FEMALE PINS  
*\*Does not include contacts*

PINS	PART#
9	A3030-1-CN



**Air-side Connector**  
FEMALE PINS  
*\*Does not include contacts*

PINS	PART#
9	A3034-1-CN

## Subminiature D-type - 500 Volts / 5 Amps\*

*Air-side Connector Included*

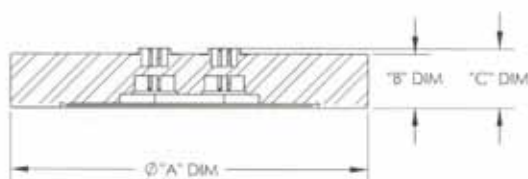
### MATERIALS

Shell: 304 Stainless Steel  
Pins: NiFe Alloy, Gold-plated  
Insulation: Glass-Ceramic

### TEMPERATURE RANGE (25°C / MIN)

Feedthrough: -200 to 250°C  
Connector (Air): -55 to 80°C  
Connector (Vacuum): -200 to 250°C

### CONFLAT FLANGE



PINS / QTY	Ø "A" DIM	"B" DIM	"C" DIM	PART#
9	2.75CF	.50	.57	A1557-1-CF
15	4.50CF	.68	.75	A1557-2-CF
25	4.50CF	.68	.75	A1557-3-CF
50	6.00CF	.78	.85	A1557-4-CF
Two 25-pin	4.50CF	.68	.75	A2565-1-CF

## MS Circular Connector - 1000 Volts / 5 Amps / Double-ended

*Air and Vacuum-side Connectors Included*

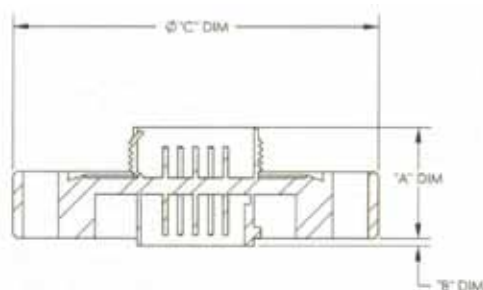
### MATERIALS

Shell: 304 Stainless Steel  
Pins: NiFe Alloy, Gold-plated  
Insulation: Glass-Ceramic

### TEMPERATURE RANGE (25°C / MIN)

Feedthrough: -200 to 250°C  
Connector (Air): -55 to 80°C  
Connector (Vacuum): -200 to 250°C

### CONFLAT FLANGE



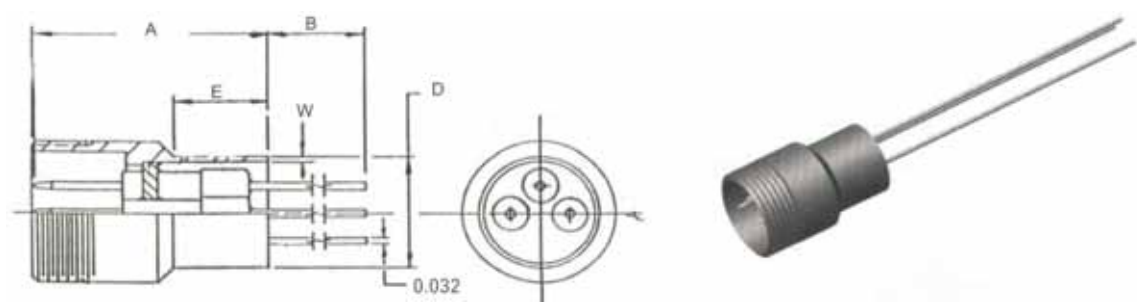
PINS / QTY	Ø "A" DIM	"B" DIM	"C" DIM	PART#
10	.83	.06	2.75CF	A8232-3-CF
19	.83	.06	2.75CF	A8232-4-CF
32	.83	.06	2.75CF	A8232-5-CF
41	1.02	OMIT	3.38CF	A8232-6-CF

\*Quick Flange (NW) タイプもございます。

# 500 Volts / 3.5 Amps / 3, 5, & 7 Pin

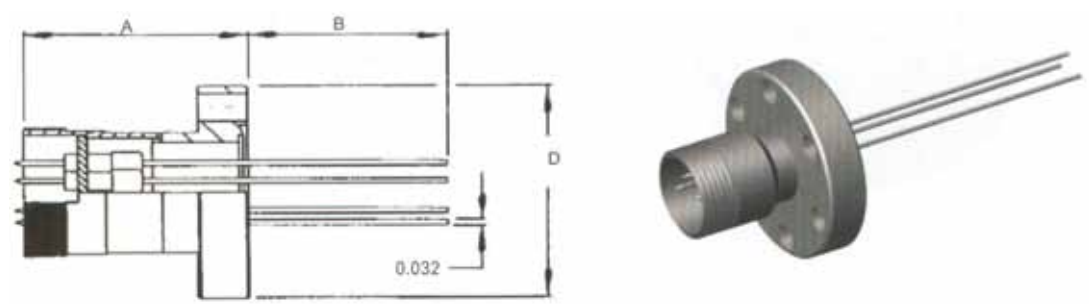
Air-side Connector Included

**WELDABLE**



PINS	A	B	D	E	W	PART#
3	.97	2.01	.497	.37	.020	A1607-1-W
5	.84	2.08	.747	.35	.035	A1424-1-W
7	.84	2.08	.747	.35	.035	A1488-1-W

## CONFLAT FLANGE



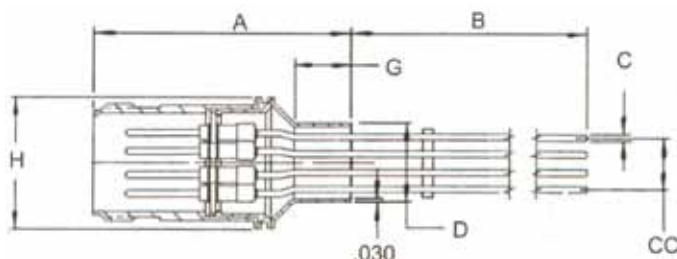
PINS	A	B	D	FLANGE	PART#
3	1.02	1.96	1.33	CF16	A1621-1-CF
5	1.34	1.58	1.33	CF16	A1620-1-CF
5	.89	2.03	2.75	CF40	A1620-2-CF
7	1.34	1.58	1.33	CF16	A1620-3-CF
7	.89	2.03	2.75	CF40	A1620-4-CF

\*Quick Flange (NW)、NPT タイプもございます。

## 700 Volts / 10 Amps per Pin / 4 to 35 Pins 0.062 or 0.062 Alumel Conductors

Air-side Connector Included

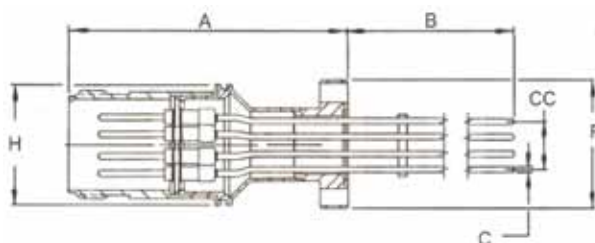
**WELDABLE**



PINS	AMPS*	A	B	C	D	G	H	CC	PART#
4	28	2.43	3.12	.056	.747	.47	1.25	.38	A0429-4-W
8	36	2.43	3.12	.056	.747	.47	1.25	.44	A0429-8-W
10	50	2.43	3.12	.056	.747	.47	1.25	.51	A0429-12-W
20	75	2.53	3.47	.056	1.372	.75	1.75	1.03	A0204-4-W
35	100	3.98	2.10	.056	1.500	1.94	2.25	1.22	A0739-1-W
35	100	3.10	2.98	.056	1.745	1.33	2.25	1.47	A2248-1-W
4	28	2.43	3.12	.062	.747	.47	1.25	.38	A3525-1-W
8	36	2.43	3.12	.062	.747	.47	1.25	.44	A3526-1-W
10	50	2.43	3.12	.062	.747	.47	1.25	.51	A3527-1-W

\* Max amperage all pins loaded

## CONFLAT FLANGE



PINS	AMPS*	A	B	C	F	H	CC	PART#
4	28	2.93	2.62	.056	1.33	1.25	.38	A0192-4-CF
4	28	2.48	3.07	.056	2.75	1.25	.38	A0193-4-CF
6	36	2.93	2.62	.056	1.33	1.25	.44	A0192-8-CF
6	36	2.48	3.07	.056	2.75	1.75	.44	A0193-8-CF
10	50	2.93	2.62	.056	1.33	1.25	.51	A0192-12-CF
10	50	2.48	3.07	.056	2.75	1.25	.51	A0193-12-CF
20	75	2.58	3.42	.056	2.75	1.75	1.03	A0206-4-CF
20	75	2.58	3.42	.056	4.50	1.75	1.03	A0208-4-CF
35	100	3.15	2.93	.056	3.38	2.25	1.47	A0743-1-CF
35	100	4.03	2.05	.056	2.75	2.25	1.22	A0741-1-CF
35	100	3.15	2.93	.056	4.50	2.25	1.47	A0743-2-CF
4	28	2.93	2.62	.062	1.33	1.25	.38	A3513-1-CF
6	36	2.93	2.62	.062	1.33	1.25	.44	A3514-1-CF
10	50	2.93	2.62	.062	1.33	1.25	.51	A3532-1-CF

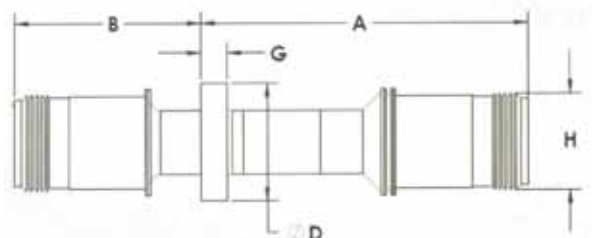
\* Max amperage all pins loaded

\*Quick Flange (NW)、NPT タイプもございます。

## 700 Volts / 10 Amps per Pin / 4 to 35 Pins / Double-ended

Air and Vacuum-side Connectors Included

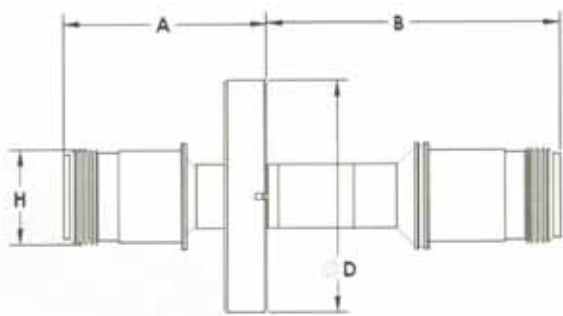
### WELDABLE



PINS	AMPS*	FIG	A	B	D	G	H	PART#
4	28	1	3.49	2.36	1.372	.31	1.25	A1086-1-W
6	36	1	3.49	2.36	1.372	.31	1.25	A1089-1-W
10	50	1	3.49	2.36	1.372	.31	1.25	A1069-1-W
20	75	1	3.50	2.78	2.495	.38	1.75	A1090-1-W
35	100	1	3.89	2.50	2.495	.38	2.25	A1091-1-W

\* Max amperage all pins loaded

### CONFLAT FLANGE



PINS	AMPS*	FIG	A	B	D	H	PART#
4	28	2	2.41	3.44	2.75/CF40	1.25	A2208-1-CF
6	36	2	2.41	3.44	2.75/CF40	1.25	A1834-1-CF
10	50	2	2.41	3.44	2.75/CF40	1.25	A2576-1-CF
20	75	2	2.83	3.50	4.50/CF63	1.75	A2577-1-CF
35	100	2	2.55	3.84	4.50/CF63	2.25	A1379-1-CF
35	100	2	2.55	3.84	6.00/CF100	2.25	A1884-1-CF

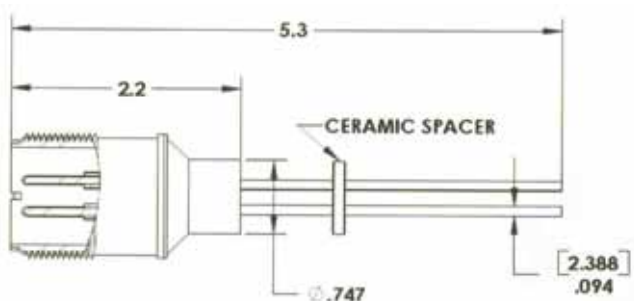
\* Max amperage all pins loaded

\*Quick Flange (NW) タイプもございます。

## 700 Volts / 28 Amps per Pin / 2 to 4 Pins Nickel and Moly Conductors

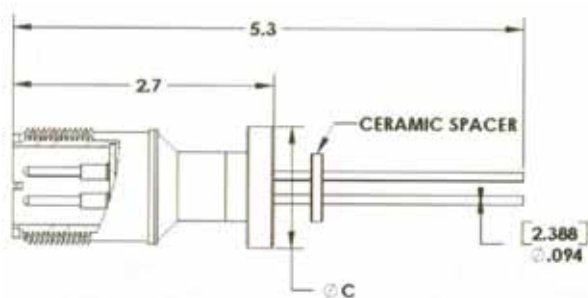
*Air-side Connector Included*

**WELDABLE**



PINS	AMPS Ni / Moly	PART#	
		NICKEL	MOLY
2	16 / 28	A2566-1-W	A2566-3-W
4	16 / 28	A2566-5-W	A2566-7-W

## CONFLAT FLANGE



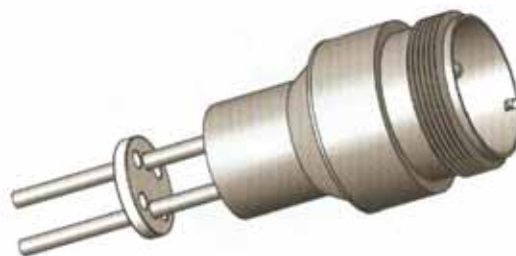
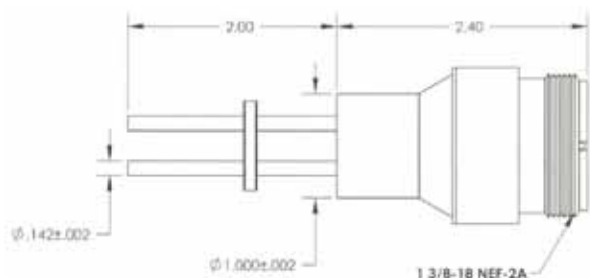
PINS	AMPS Ni / Moly	C	PART#	
			NICKEL	MOLY
4	16 / 28	1.33 / CF16	A2568-3-CF	A2568-3-CF
6	16 / 28	1.33 / CF16	A2568-7-CF	A2568-7-CF
10	16 / 28	2.75 / CF40	A2569-3-CF	A2569-3-CF
20	16 / 28	2.75 / CF40	A2569-7-CF	A2569-7-CF

\*Quick Flange (NW) タイプもございます。

## 700 Volts / 40 Amps per Pin / 2 to 4 Pins Nickel and Moly Conductors

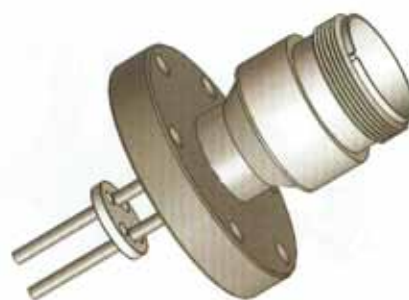
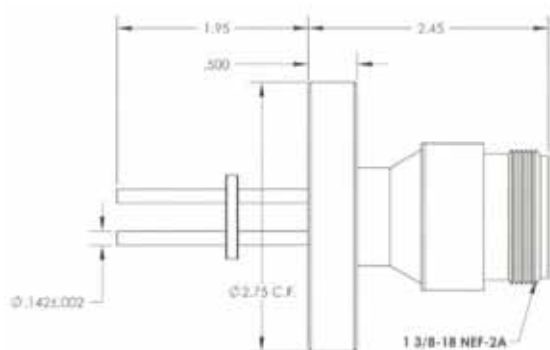
*Air-side Connector Included*

**WELDABLE**



PINS	AMPS	CONDUCTOR	PART#
2	40	MOLY	A5076-1-W
2	25	NICKEL	A5076-3-W
4	40	MOLY	A4748-1-W
4	25	NICKEL	A4748-3-W

## CONFLAT FLANGE



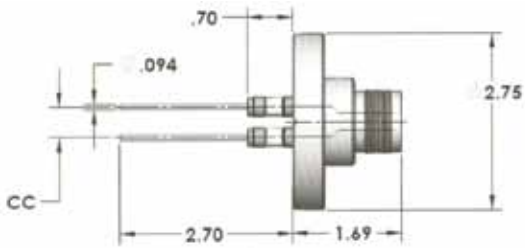
PINS	AMPS	CONDUCTOR	PART#
2	40	MOLY	A5077-1-W
2	25	NICKEL	A5077-3-W
4	40	MOLY	A4852-1-W
4	25	NICKEL	A4852-3-W

\*Quick Flange (NW) タイプもございます。

## 700 Volts / 23 Amps per Pin / 2 to 8 Pins

Air-side Connector Included

### CONFLAT FLANGE



PINS	AMPS	VOLTS	CONDUCTOR	CC	PART#
2	23	700	COPPER	.48	A0754-1-CF
2	15	700	NICKEL	.48	A0754-2-CF
3	23	1750	COPPER	.64	A0753-1-CF
3	15	1750	NICKEL	.65	A0753-2-CF
4	23	1250	COPPER	.65	A0756-1-CF
4	15	1250	NICKEL	.75	A0756-2-CF
5	23	700	COPPER	.75	A0755-1-CF
5	15	700	NICKEL	.75	A0755-2-CF
7	23	700	COPPER	.75	A0752-1-CF
7	15	700	NICKEL	.75	A0752-2-CF
8	23	700	COPPER	*	A0757-1-CF
8	15	700	NICKEL	*	A0757-2-CF

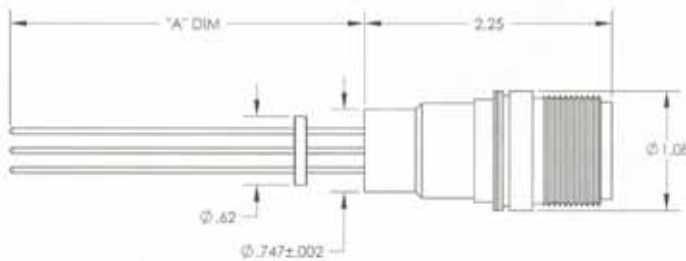
\* Not equally spaced

## 12,000 Volts / 7.5 Amps per Pin / 2 to 7 Pins

### MS Style MIL-C-5015

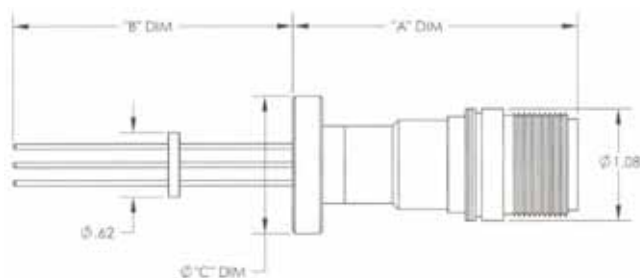
Air-side Connector Included

#### WELDABLE



PINS	"A" DIM	CONDUCTOR	PART#
2	3.20	YES	A4207-1-W
4	3.20	YES	A4208-1-W
7	3.20	YES	A3084-1-W

#### CONFLAT FLANGE



PINS	"A" DIM	"B" DIM	$\phi$ "C" DIM	PART#
2	2.75	2.70	1.33	A3970-1-CF
2	2.33	3.12	2.75	A3972-1-CF
4	2.75	2.70	1.33	A3971-1-CF
4	2.33	3.12	2.75	A3976-1-CF
7	2.75	2.70	1.33	A3086-1-CF
7	2.33	3.12	2.75	A3977-1-CF

\*Quick Flange (NW) タイプもございます。